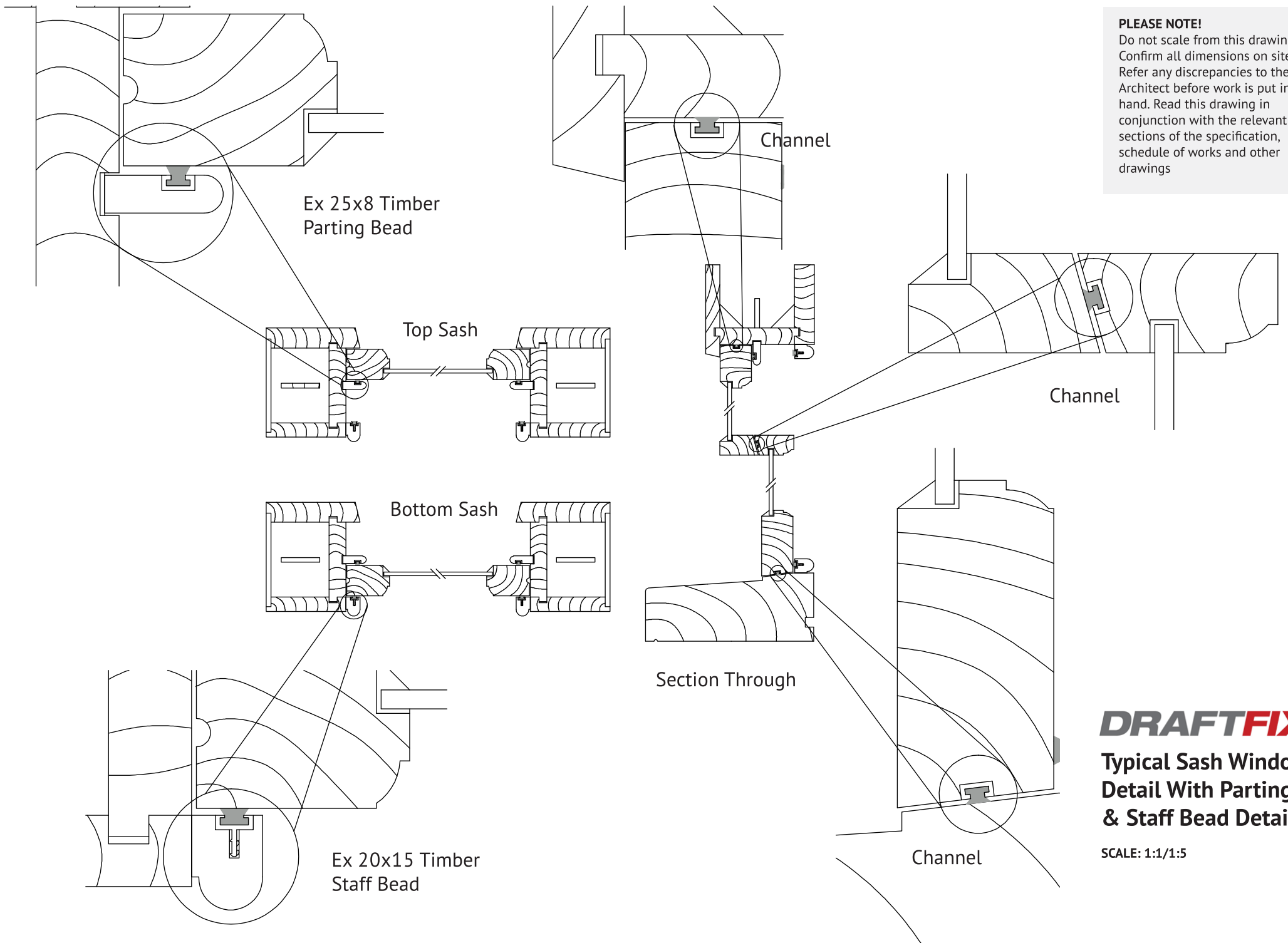


PLEASE NOTE!
Do not scale from this drawing.
Confirm all dimensions on site.
Refer any discrepancies to the
Architect before work is put in
hand. Read this drawing in
conjunction with the relevant
sections of the specification,
schedule of works and other
drawings



DRAFTFIX
Typical Sash Window
Detail With Parting Bead
& Staff Bead Detail

SCALE: 1:1/1:5